



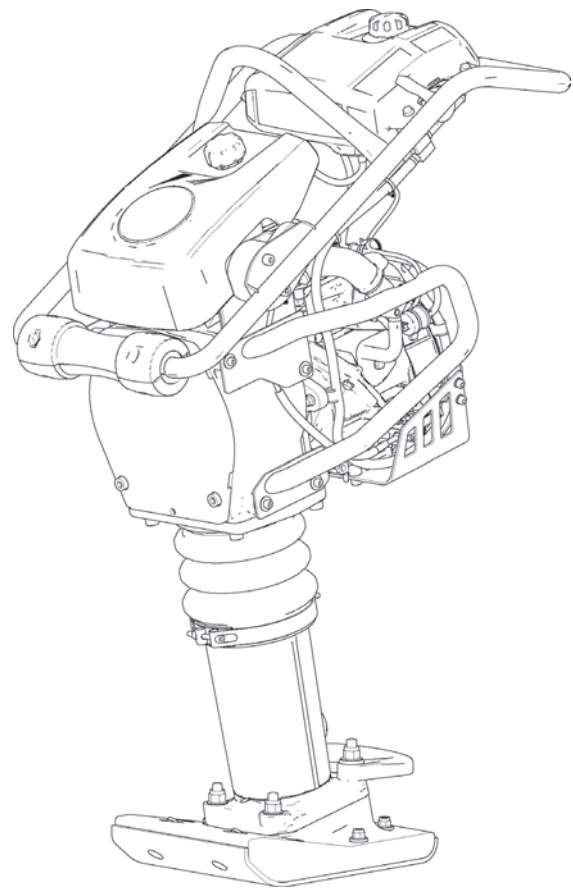
**Chicago  
Pneumatic**

# **Spare parts list**

## **Rammer**

### **MS 595**

	Valid from serial number
MS 595 150 mm, (6 in.)	BGF000001
MS 595 230 mm, (9 in.)	BGF000001



## General information

This spare parts list applies to the following:

Part number	Description
33820 003 70	MS 595 150 mm, (6 in.)
33820 003 69	MS 695 150 mm, (9 in.)

Use only authorized parts. Any damage or malfunction caused by the use of unauthorized parts is not covered by Warranty or Product Liability. Any unauthorized use or copying of the contents or any part thereof is prohibited. This applies in particular to trademarks, model denominations, part numbers, and drawings.

### Instructions for use

This spare parts list contains no safety regulations and is merely intended to assist in the ordering of spare parts.

For information about operating, servicing, or repairing, the relevant Safety and operating instructions must be consulted at all costs.

Please observe the safety instructions listed in the relevant Safety and operating instructions!

Contents

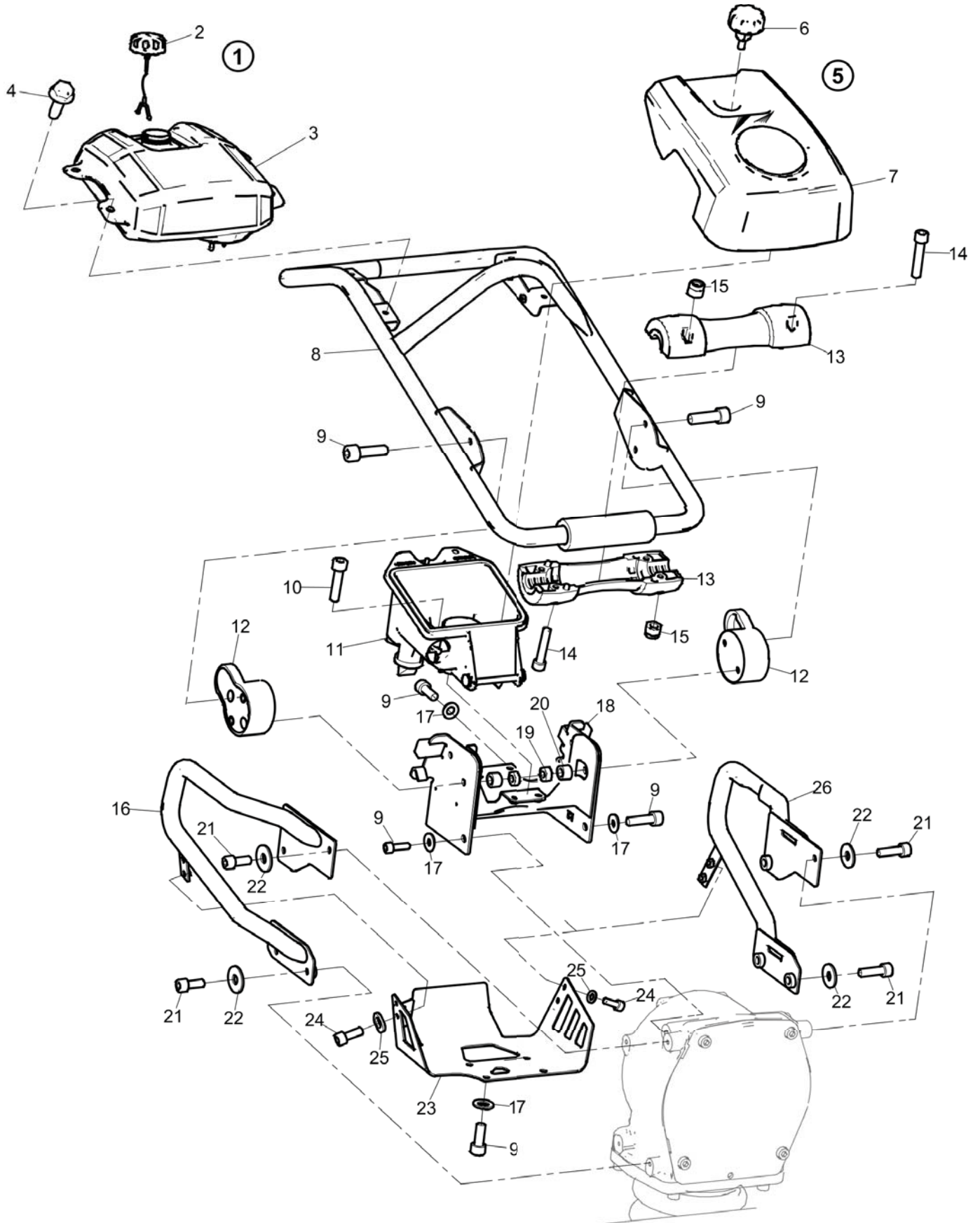
**Spare parts list**

Handle ..... 4  
Throttle control and fuel system ..... 6  
Air filter and engine installation ..... 9  
Transmission ..... 12  
Spring unit ..... 14  
Foot 150 mm (6 in.) ..... 16  
Foot 230 mm (9 in.) ..... 18  
Labels ..... 20

**Kits**

One year service kit ..... 22  
Shock absorber repair kit ..... 24  
Transmission repair kit ..... 26  
Spring unit repair kit ..... 28  
Foot 150 mm (6 in.) repair kit ..... 30  
Foot 230 mm (9 in.) repair kit ..... 32

Spare parts list Handle



Refer to Parts Online for the most up to date information. The printed information might be outdated.

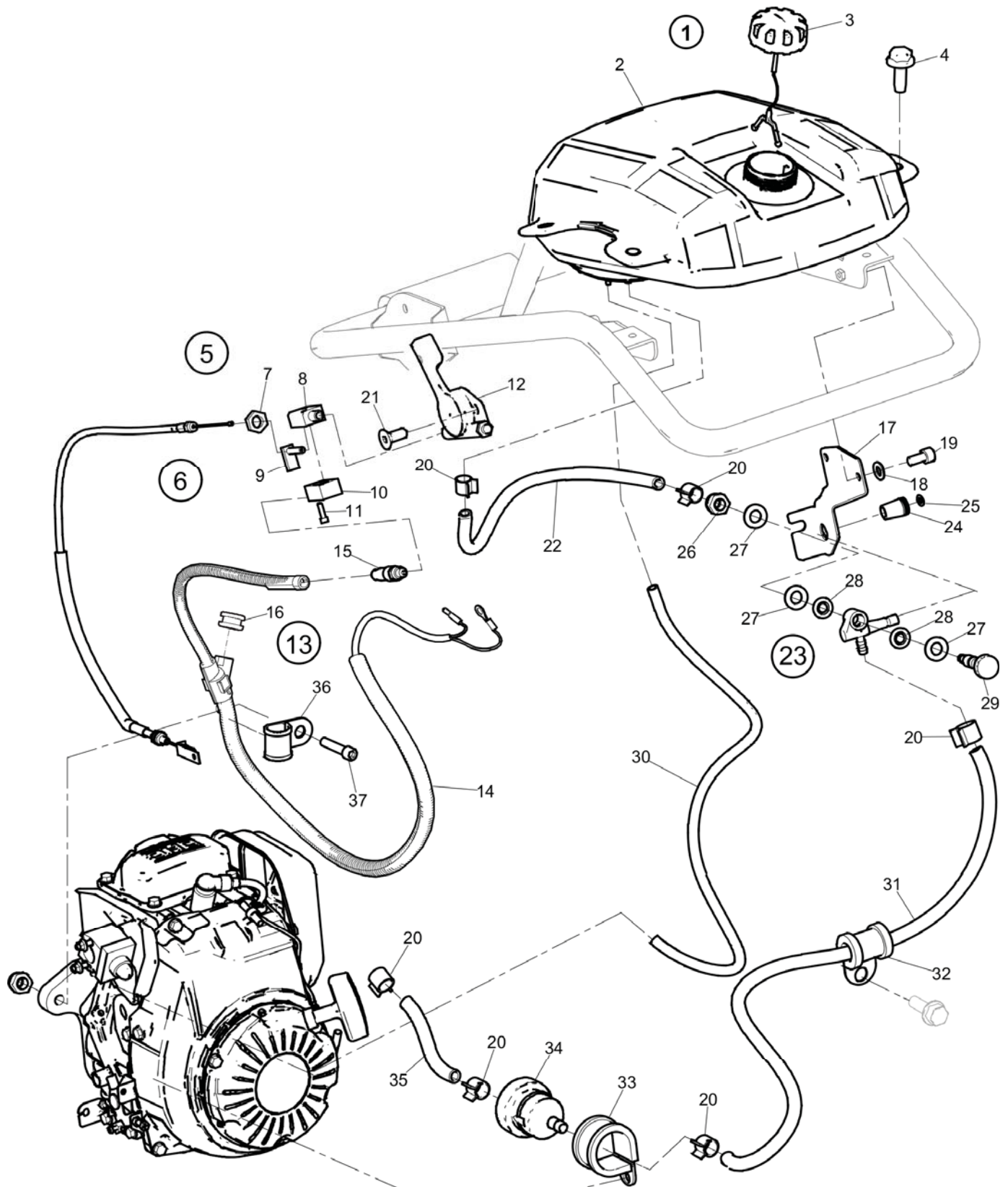
Mon Dec 22 03:02:41 MST 2014

Item	Part No.	Name	Qty	L
1	3382100311	Fuel tank, complete	1	
.2	3382011626	Fuel cap	1	
3	-	Fuel tank	1	
4	0226030500	Screw, M5 x 16 mm	4	
5	3382100334	Hood, complete	1	
.6	9234000948	Hood knob	1	
.7	-	Hood	1	
8	3382012979	Handle	1	
9	0211132303	Hexagon socket screw	12	
10	0211124903	Hex sock. screw	4	
11	-	Air filter housing	1	A
12	3382011297	Shock absorber	2	
13	4700384496	Roller	2	
14	0211125003	Hexagon socket head cap screw	4	
15	0291112815	Nut	4	
16	3382012905	Safety frame, right	1	
17	0301233500	Plain washer	8	
18	3382013052	Handle bracket	1	
19	0266211000	Hexagon nut	4	
20	3382012906	Spacer	4	
21	0211124703	Hex sock. screw	8	
22	0300027464	Washer din9021 d6,4 zn	8	
23	3382012869	Engine cover	1	
24	0211124603	Hexagon socket head cap screw	4	
25	0301232100	Flat washer	4	
26	3382012890	Safety frame, left	1	

Comments for Page: Handle

A || See section " Air filter and engine installation"

## Spare parts list Throttle control and fuel system



Refer to Parts Online for the most up to date information. The printed information might be outdated.

Mon Dec 22 03:02:42 MST 2014

Item	Part No.	Name	Qty	L
1	3382100311	Fuel tank, complete	1	
.2	-	Tank	1	
.3	3382011626	Fuel cap	1	
4	0226030500	Screw, M5 x 16 mm	4	
5	-	Throttle control, complete	1	
.6	3382011608	Throttle wire, complete	1	
..7	-	Nut	1	
..8	-	Switch part, upper	1	
..9	-	Switch	1	
..10	-	Swirch part, lower	1	
..11	-	Screw	2	
.12	3382011609	Handle, complete	1	
.13	3382100312	Cable harness, complete	1	
..14	-	Cable harness	1	
..15	-	Switch	1	
..16	3382012916	End cover	1	
17	3382013037	Bracket	1	
18	0301231800	Washer	2	
19	0211120403	Hex. Sock. Screw	2	
20	0347010210	Hose clamp	6	
21	0216110051	Screw, M5 x 12 mm	2	
22	0075000209	Fuel hose	1	A
23	3382014091	Fuel tap, complete	1	
.24	-	Knob	1	
.25	-	Snap ring	1	
.26	0291112818	Nut	1	
.27	0301233500	Plain washer	3	
.28	0661100054	Sealing washer	2	
.29	-	Fuel tap screw	1	
30	0075000208	Fuel hose	1	
31	0075000209	Fuel hose	1	B
32	0346100201	Clamp	1	
33	0346100029	Clamp	1	
34	3382012761	Fuel filter	1	
35	0075000209	Fuel hose	1	
36	0346100203	Pipe clamp	1	
37	0211125003	Hexagon socket head cap screw	1	

Refer to Parts Online for the most up to date information. The printed information might be outdated.

Mon Dec 22 03:02:42 MST 2014

Comments for Page: Throttle control and fuel system

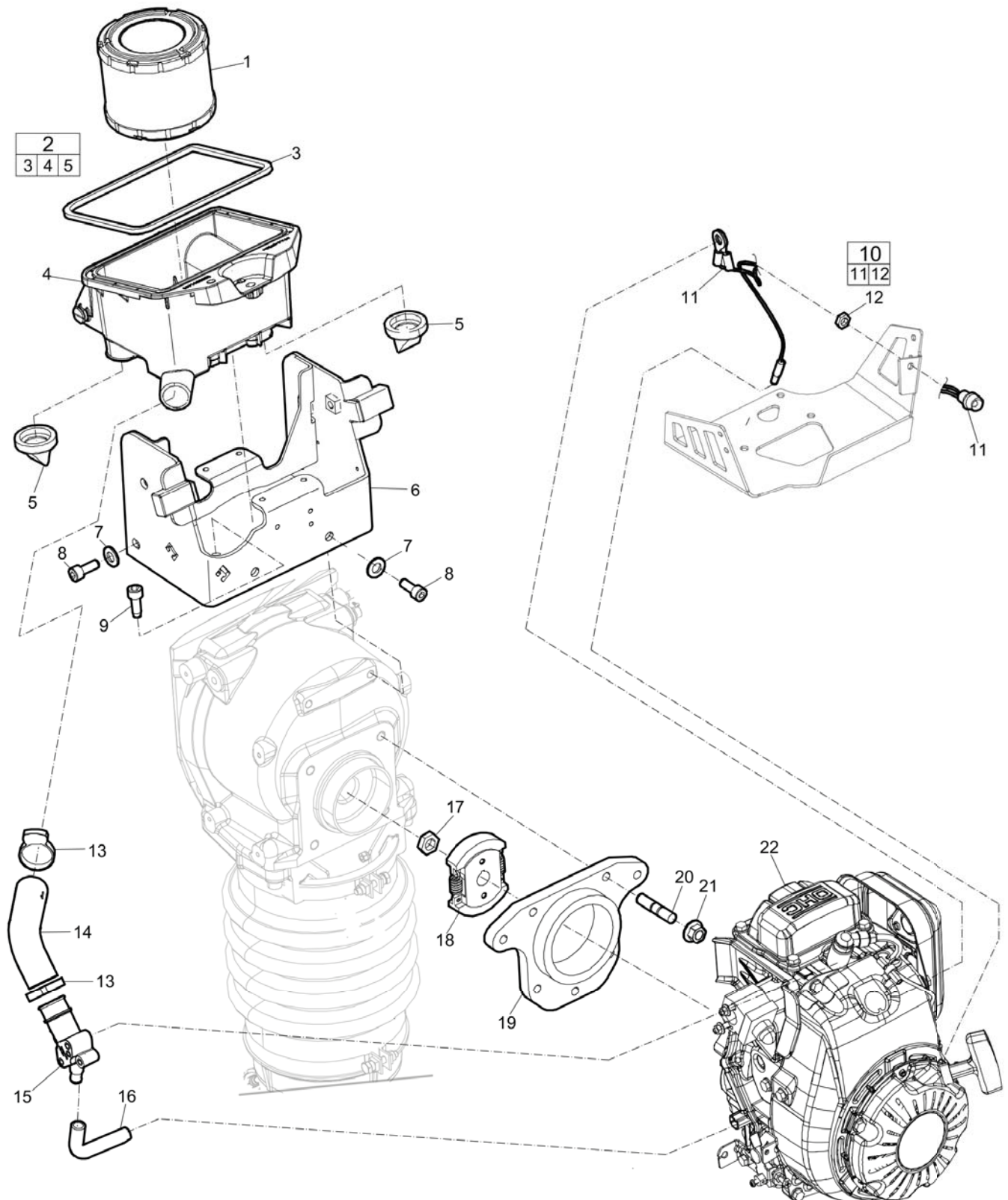
A || Lenght = 215 mm

B || Lenght = 425 mm



This page intentionally left blank

## Spare parts list Air filter and engine installation

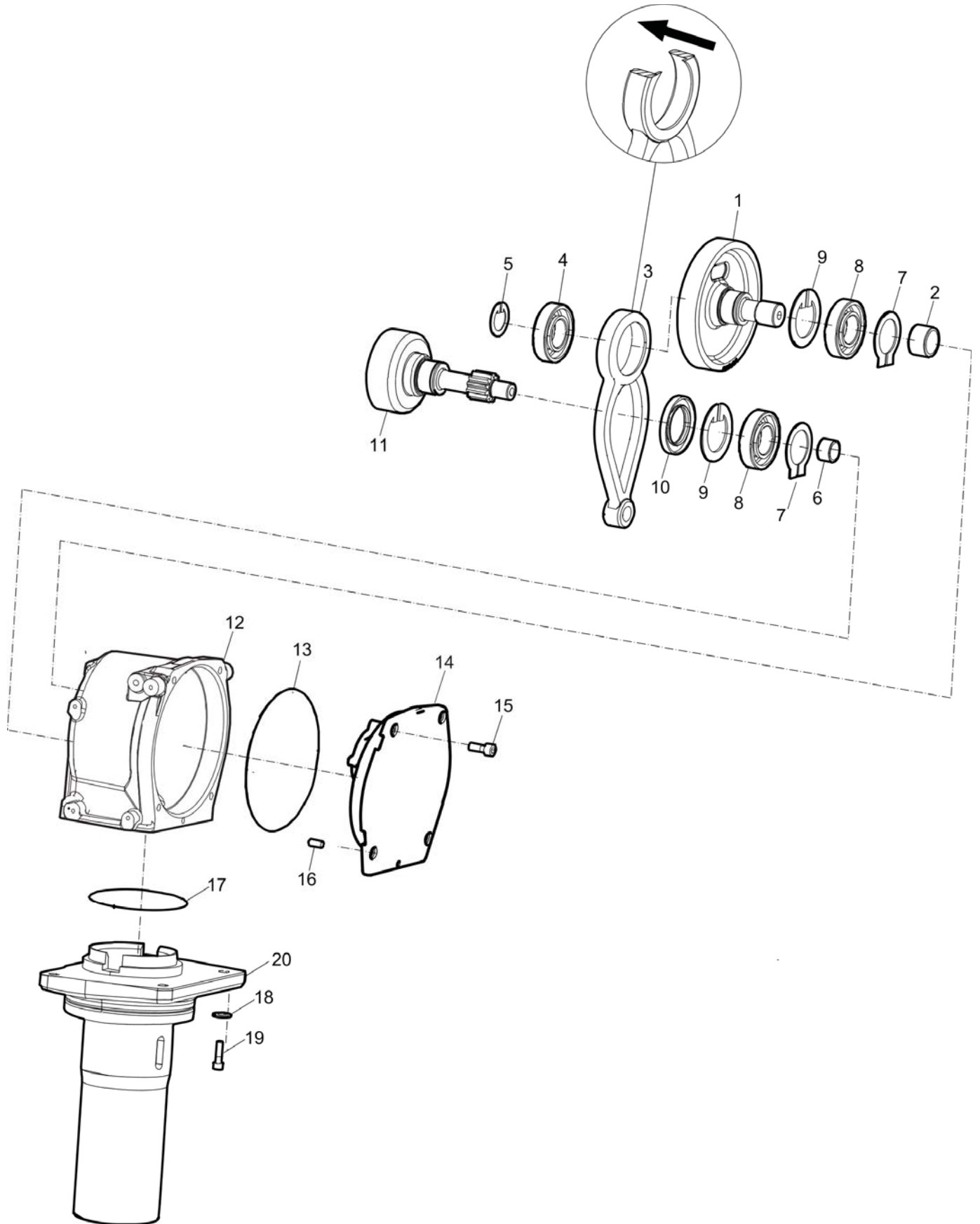


Refer to Parts Online for the most up to date information. The printed information might be outdated.

Mon Dec 22 03:02:43 MST 2014

Item	Part No.	Name	Qty	L
1	3382011502	Air filter	1	
.2	3382011461	Air filter housing, complete	1	
.3	3382012499	Gasket	1	
.4	-	Air filter housing	1	
.5	3382011563	Evacuator valve	2	
6	3382013052	Handle bracket	1	
7	0301233500	Plain washer	4	
8	0211132303	Hexagon socket screw	4	
9	0211124903	Hex sock. screw	4	
10	3382012194	Engine oil indicator, complete	1	
.11	-	Wiring harness	1	
.12	-	Nut	1	
13	0347012230	Hose clamp	2	
14	3382011484	Air intake hose	1	
15	3382011473	Air hose connection	1	
16	4700379490	Hose	1	
17	0261109910	Nut, fine pitch, M12 x 1.25 mm	1	
18	3382010862	Centrifugal clutch, complete	1	
19	-	Engine adapter	1	
20	4700384517	Stud, M10 x 47 mm	4	
21	0261109955	Nut, fine pitch, M10 x 1.25 mm	4	
22	3382012181	Engine, Honda GXR 120	1	

**Spare parts list** Transmission

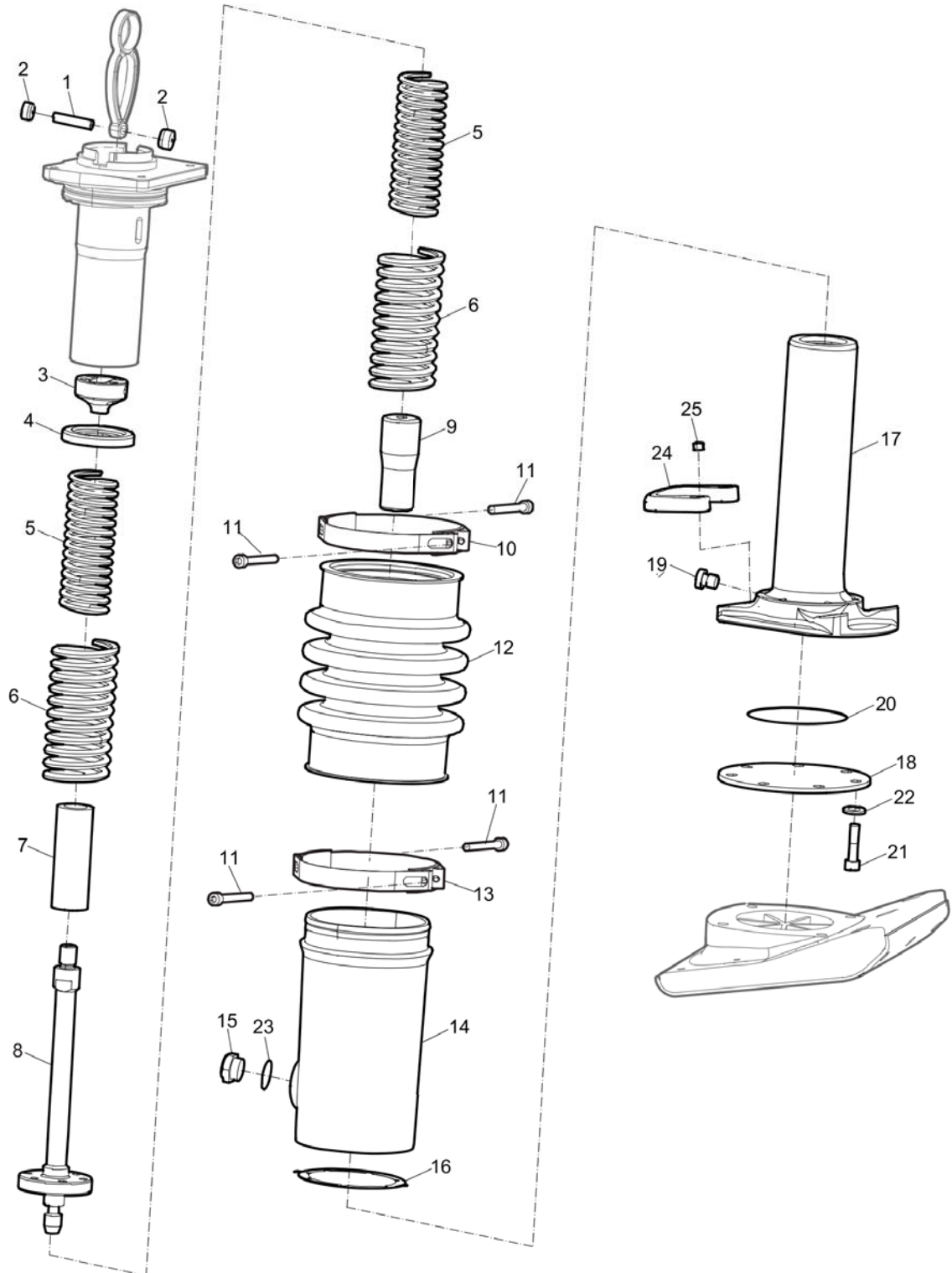


Refer to Parts Online for the most up to date information. The printed information might be outdated.

Mon Dec 22 03:02:43 MST 2014

Item	Part No.	Name	Qty	L
1	4700380906	Gear wheel	1	
2	4700904950	Needle bearing	1	
3	4700380920	Connecting rod	1	
4	4700111078	Ball bearing	1	
5	0335112700	Retaining ring for shaft	1	
6	4700904949	Needle bearing	1	
7	0335113600	Snap ring	2	
8	4700903520	Bearing	2	
9	4700151025	Snap ring	2	
10	4700904952	Sealing	1	
11	4700381477	Shaft	1	
12	3382011251	Crankcase	1	
13	4700160106	O-ring	1	
14	4700377332	Cover	1	
15	4700508096	Hexagon socket head cap screw	4	
16	4700628006	Pin	1	
17	4700160035	O-ring	1	
18	4700904230	Washer, 10.5x22x2 mm 300 HV	4	
19	4700508053	Screw	4	
20	4700395479	Outer tube	1	

**Spare parts list** Spring unit

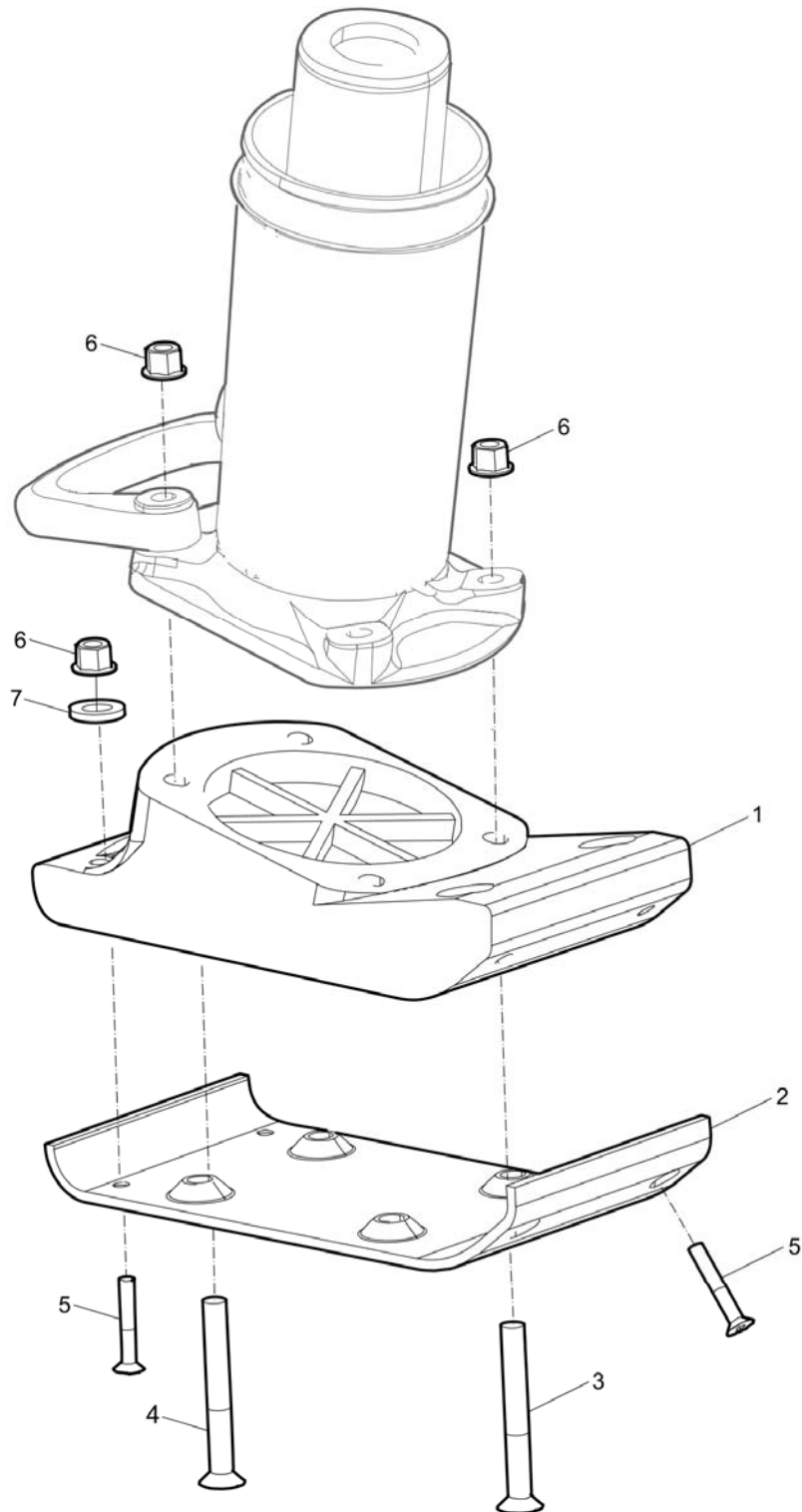


Refer to Parts Online for the most up to date information. The printed information might be outdated.

Mon Dec 22 03:02:44 MST 2014

Item	Part No.	Name	Qty	L
1	4700381479	Piston bolt	1	
2	4700385087	Plug	2	
3	4700385063	Piston head	1	
4	4700384984	Cover	1	
5	4700385062	Spring	2	
6	4700385061	Spring	2	
7	4700385086	Stop	1	
8	4700385064	Piston rod	1	
9	4700385085	Stop	1	
10	4700396677	Hose clamp	1	
11	4700927889	Screw	4	
12	4812070540	Bellow	1	
13	4700396676	Hose clamp	1	
14	4700384955	Bellows support	1	
15	4700791395	Sight plug	1	
16	4700385168	Gasket	1	
17	4700384956	Inner tube	1	
18	4700385084	Cover	1	
19	4700904951	Plug	1	
20	4700160038	O-ring	1	
21	4700508021	Screw, M8 x 50 mm 8.8 A2K	6	
22	4700162009	Seal ring	6	
23	4700791376	Fiber washer	1	
24	4700385164	Grab handle	1	
25	0291112845	Nut, M12, 10.9	2	

**Spare parts list** Foot 150 mm (6 in.)





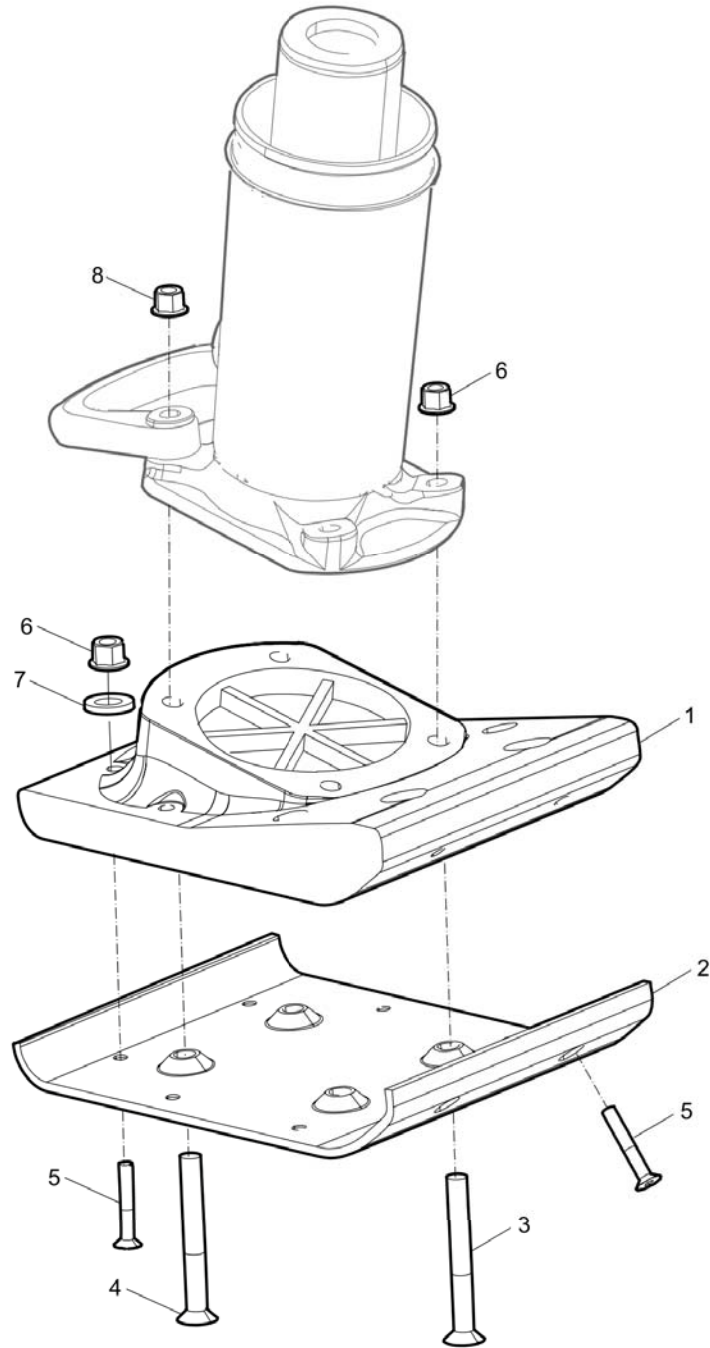
Item	Part No.	Name	Qty	L
1	4700385088	Foot	1	
2	4700385091	Ground plate	1	
3	4700791085	Screw, M12 x 100 mm 10.9 GEOMET®	2	A
4	4700791339	Screw, M12 x 150 mm 10.9 GEOMET®	2	A
5	4700791331	Screw, M8 x 50 mm NYLOK BLUE PATCH™(Known as TUF-LOK® in Europe)	4	B
6	-	Nut, M12 x 1.75 mm	8	
7	-	Washer, 8.4 x 22 x 3 mm, 0.33 x 0.87 x 0.12 in. HV300	8	

Comments for Page: Foot 150 mm (6 in.)

A | GEOMET is a registered trademark of Nof Metal Coatings North America Inc.

B | NYLOK BLUE PATCH is a trademark of Nylok Corporation. TUF-LOK ® is a registered trademark of Nylok Corporation in Europe.

**Spare parts list** Foot 230 mm (9 in.)



Refer to Parts Online for the most up to date information. The printed information might be outdated.

Mon Dec 22 03:02:46 MST 2014

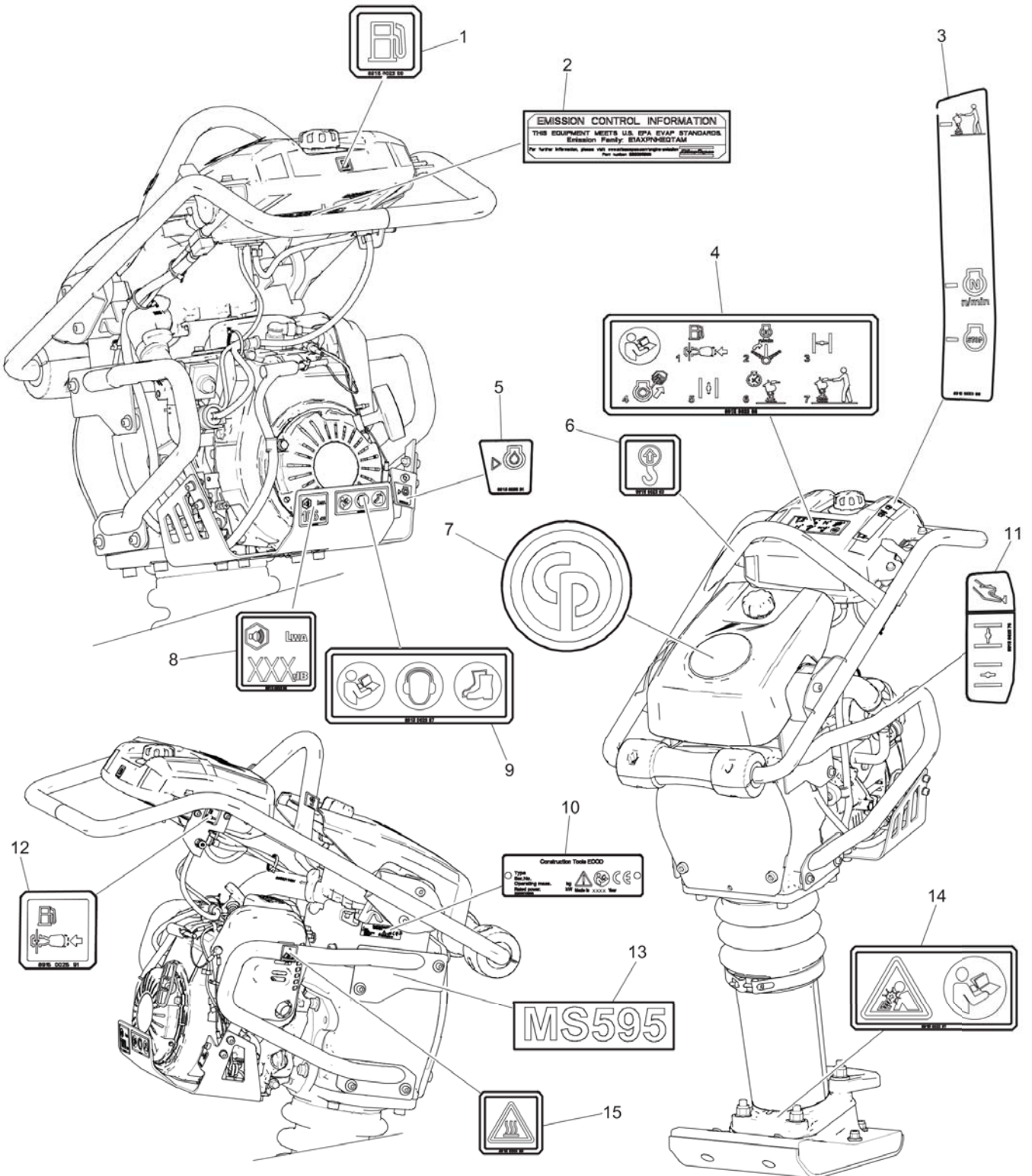
Item	Part No.	Name	Qty	L
1	4700385165	Foot	1	
2	4700385166	Ground plate	1	
3	4700791085	Screw, M12 x 100 mm 10.9 GEOMET®	2	A
4	4700791339	Screw, M12 x 150 mm 10.9 GEOMET®	2	A
5	4700791331	Screw, M8 x 50 mm NYLOK BLUE PATCH™(Known as TUF-LOK® in Europe)	8	B
6	-	Nut, M8 x 1.25 mm	8	
7	-	Washer, 8.4 x 22 x 3 mm, 0.33 x 0.87 x 0.12 in. HV300	7	
8	-	Nut, M12 x 1.75 mm	4	

Comments for Page: Foot 230 mm (9 in.)

A | GEOMET is a registered trademark of Nof Metal Coatings North America Inc.

B | NYLOK BLUE PATCH is a trademark of Nylok Corporation. TUF-LOK is a registered trademark of Nylok Corporation in Europe.

Spare parts list Labels



Refer to Parts Online for the most up to date information. The printed information might be outdated.

Mon Dec 22 03:02:47 MST 2014

Item	Part No.	Name	Qty	L
1	8915002399	Label, fuel	1	
2	-	Label, emission control information	1	
3	8915002398	Label, start instruction	1	
4	8915002388	Label, start instruction	1	
5	8915002631	Label, engine oil indicator	1	
6	8915002393	Label, lifting point	2	
7	8915300161	Product label "CP"	1	
8	-	Sound power label	1	
9	8915002387	Safety label, read instructions, ear protection and safety boots	1	
10	-	Data plate	1	
11	8915002570	Label, engine choke and primer pump	1	
12	8915002591	Fuel tap ON/OFF	1	
13	8915300177	Product label "MS 595"	2	
14	4700791088	Safety label, compressed spring package	1	
15	8915002632	Safety label, hot surfaces	1	

**Kits** One year service kit

**NO DRAWING  
AVAILABLE  
FOR THIS BOM**

Item	Part No.	Name	Qty	L
1	3382100314	One year service kit		
.2	4700938934	Spark plug	1	
.3	3382011502	Air filter	5	
.4	4700938973	Rope	1	
.5	3382012761	Fuel filter	2	

**Kits** Shock absorber repair kit

**NO DRAWING  
AVAILABLE  
FOR THIS BOM**



Item	Part No.	Name	Qty	L
1	3382100315	Shock absorber repair kit	1	
2	3382011297	Shock absorber	2	
3	0211132303	Hexagon socket screw	4	
4	0301233500	Plain washer	4	
5	0211132503	Hex. Sock screw, M8x25, 8.8	4	

**Kits** Transmission repair kit

NO EXPLODED VIEW  
AVAILABLE  
FOR THIS BOM

Item	Part No.	Name	Qty	L
1	4812155283	Repair kit, transmission	1	
.2	4700904950	Needle bearing	1	
.3	4700111078	Ball bearing	1	
.4	4700150009	Circlip ring	1	
.5	4700904949	Needle bearing	1	
.6	4700150014	Snap ring	2	
.7	4700903520	Bearing	2	
.8	4700151025	Snap ring	2	
.9	4700904952	Sealing	1	
10	-	Nut, M12 x 1.25 mm A3K	1	
11	4700160106	O-ring	1	
12	-	Screw, M10 x 25 mm 8.8 A3K	4	
13	4700160035	O-ring	1	
14	-	Washer, 10.5 x 22 x 2 mm, 0.41 x 0.87 x 0.08 in. 300 HV	4	
15	-	Screw, M10 x 35 mm 8.8 A3K	4	
16	-	Washer, 8.4 x 26 x 3 mm, 0.33 x 1.02 x 0.12 in.	1	
17	-	Screw, M8 x 25 mm 8.8 A2K	1	

**Kits** Spring unit repair kit

NO EXPLODED VIEW  
AVAILABLE  
FOR THIS BOM

Item	Part No.	Name	Qty	L
1	4812155673	Repair kit, spring unit	1	
.2	4700385062	Spring	1	
.3	4700385061	Spring	1	
.4	4700385086	Stop	1	
.5	4700385085	Stop	1	
.6	-	Screw, M8 x 50 mm 8.8 A2K	6	
.7	4700385168	Gasket	1	
.8	4700160038	O-ring	1	
.9	4700162009	Seal ring	1	
.10	-	Washer, 27 x 32 x 2 mm, 1.06 x 1.26 x 0.08 in.	1	

**Kits** Foot 150 mm (6 in.) repair kit

NO EXPLODED VIEW  
AVAILABLE  
FOR THIS BOM

Item	Part No.	Name	Qty	L
1	4700950298	Foot kit, cpl	1	
.2	4700385091	Ground plate	1	
.3	4700385088	Foot	1	
.4	4700791085	Screw, M12 x 100 mm 10.9 GEOMET®	2	A
.5	4700791339	Screw, M12 x 150 mm 10.9 GEOMET®	2	A
.6	-	Washer, 8.4 x 22 x 3 mm, 0.33 x 0.87 x 0.12 in. HV300	4	
.7	-	Nut, M8 x 1.25 mm A2K	4	
.8	4700791331	Screw, M8 x 50 mm NYLOK BLUE PATCH™(Known as TUF-LOK® in Europe)	4	B
.9	-	Nut, M8 x 1.25 mm A2K	4	

Comments for Page: Foot 150 mm (6 in.) repair kit

A | GEOMET is a registered trademark of Nof Metal Coatings North America Inc.

B | NYLOK BLUE PATCH is a trademark of Nylok Corporation. TUF-LOK is a registered trademark of Nylok Corporation in Europe.

**Kits** Foot 230 mm (9 in.) repair kit

NO EXPLODED VIEW  
AVAILABLE  
FOR THIS BOM



Item	Part No.	Name	Qty	L
1	4700950340	Foot kit, cpl	1	
.2	4700385166	Ground plate	1	
.3	4700385165	Foot	1	
.4	4700791085	Screw, M12 x 100 mm 10.9 GEOMET®	2	A
.5	4700791339	Screw, M12 x 150 mm 10.9 GEOMET®	2	A
.6	-	Washer, 8.4 x 22 x 3 mm, 0.33 x 0.87 x 0.12 in. HV300	8	
.7	-	Nut, M8 x 1.25 mm A2K	8	
.8	4700791331	Screw, M8 x 50 mm NYLOK BLUE PATCH™(Known as TUF-LOK® in Europe)	8	B
.9	-	Nut, M8 x 1.25 mm A2K	4	

Comments for Page: Foot 230 mm (9 in.) repair kit

A | GEOMET is a registered trademark of Nof Metal Coatings North America Inc.

B | NYLOK BLUE PATCH is a trademark of Nylok Corporation. TUF-LOK is a registered trademark of Nylok Corporation in Europe.







**Chicago  
Pneumatic**